

Hafele TAG Synergy Rods - User Guide.



Introduction

Overview

- This Package from Solid Setup Plus adds 33mm Round TAG Synergy and TAG Synergy Elite hanging rods to Cabinet Vision.
- It provides drilling for the brackets and pillars in the cabinet parts for CNC output.
- Support hole quantity can be increased from 2 holes to 4,6,8,10... etc for adjustable height
- It also adds 3d models for the rods, pillars and brackets etc.
- Closet module not required.

Included in This Package

Materials:	Name	Description
•	Rod Tag Synergy Activator	Rod Tag Synergy Activator materials in 5 colours
•	Rod Tag Synergy Elite Activator	Rod Tag Synergy Elite Activator materials in 6 colours
•	Rod Tag Synergy 33 x 2337	Rod Tag Synergy Rod materials for ordering 92" in 5 colours
•	Rod Tag Synergy 33 x 2438	Rod Tag Synergy Rod materials for ordering 96" in 5 colours
•	Rod Tag Synergy Elite 33 x 2337	Rod Tag Synergy Elite Rod materials for ordering 92" in 6 colours
•	Rod Tag Synergy Elite 33 x 2438	Rod Tag Synergy Elite Rod materials for ordering 96" in 6 colours
•	Rod Support Tag Synergy Full/Half	Rod Tag Synergy Support materials in 5 colours
•	Rod Support Tag Synergy Elite	Rod Tag Synergy Elite Support materials in 6 colours
•	Rod Pillar Tag Synergy	Rod Tag Synergy Pillar materials in 6 colours

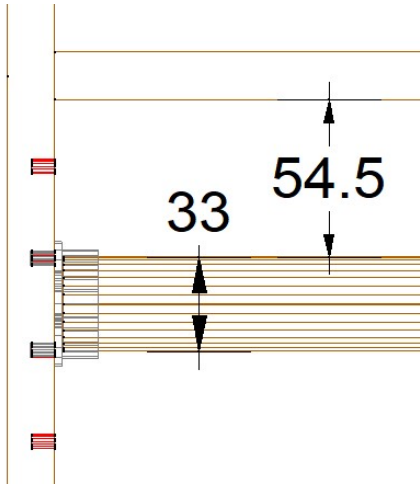
Parts:	Name	Description
•	"BRKT"	Bracket
•	"ROD"	Rod

User Created Standards

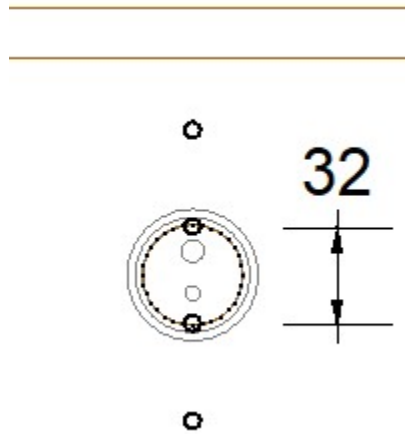
- { RODS } -- Hafele TAG Synergy Round Rods

Library - "Solid Setup Plus" Cabinet Vision Catalog of Library parts

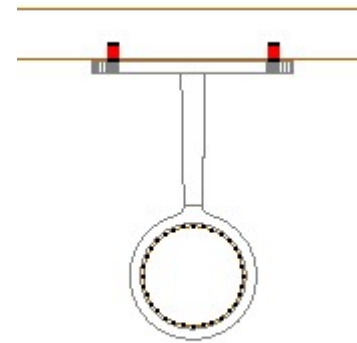
TAG Synergy Rod Diagrams



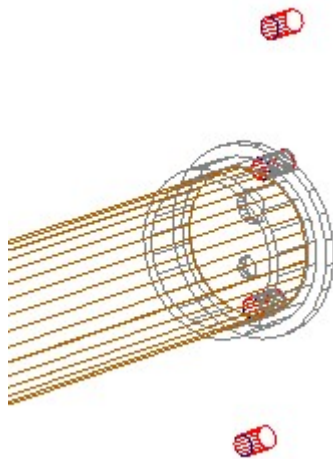
Front View



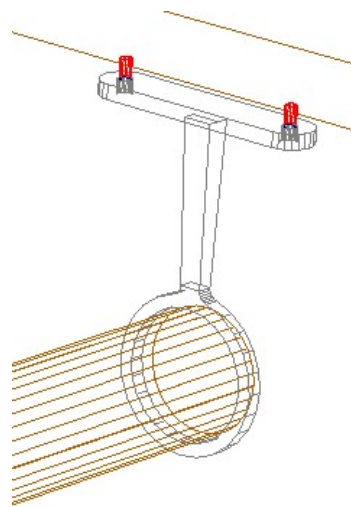
Support Side View with 4 holes



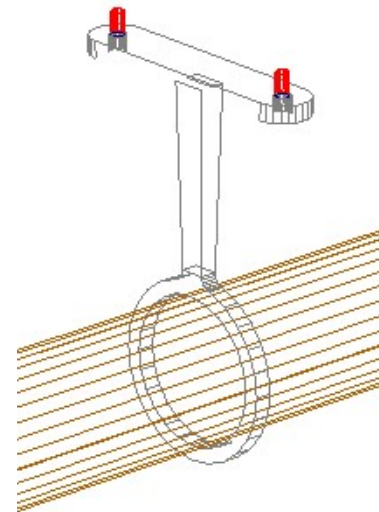
Pillar Side View



End Support



End Pillar



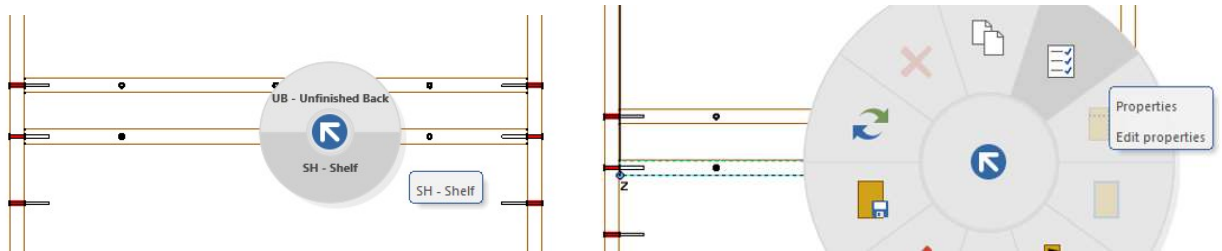
Center Pillar

TAG Synergy Rod Usage

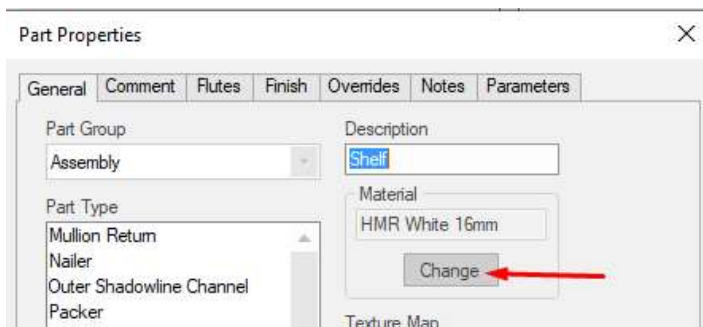
Activation.

The TAG Synergy rods can be activated by changing the material of a Shelf or Fixed Shelf to the rod desired.

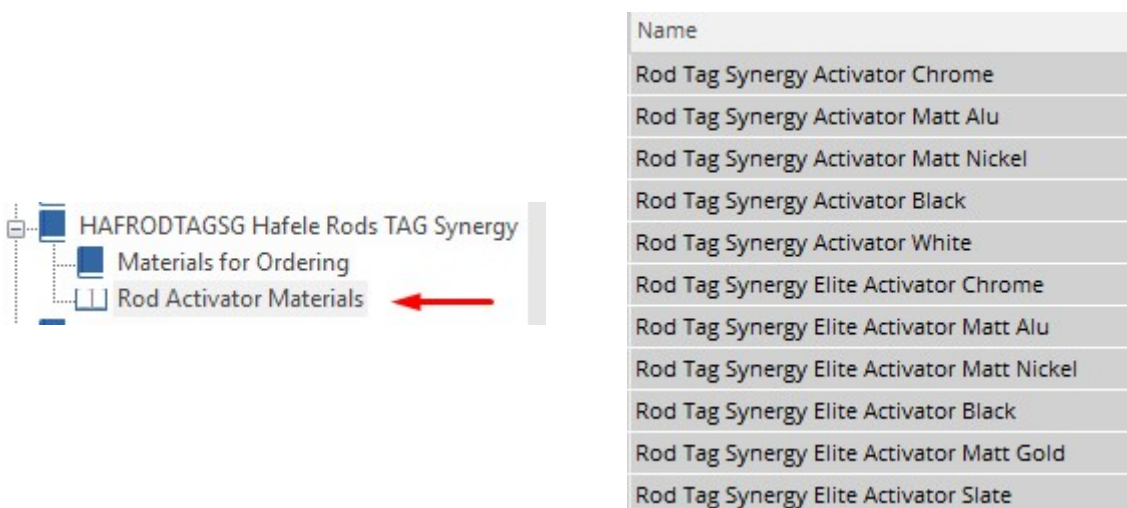
In the Face View of the Cabinet Editor, Right click on a Shelf or Fixed Shelf and select Properties:



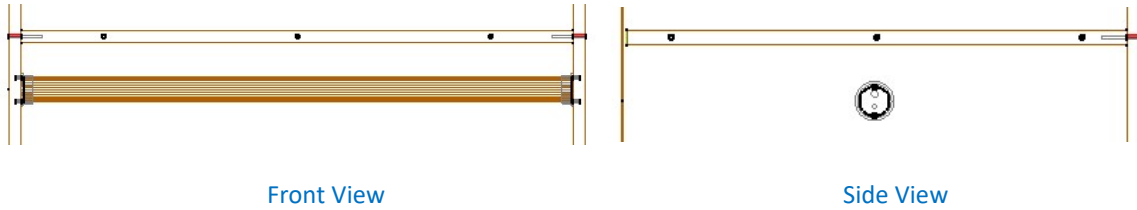
Press the Change button to change the material:



Find the "Rod Activator Materials" Folder or search for Synergy Activator, or Elite Activator



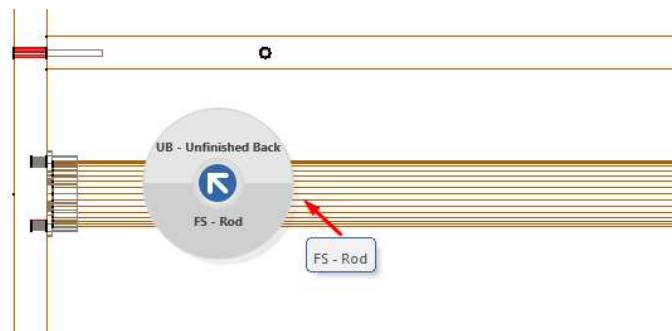
Select the Rod Tag Synergy Activator – or – Rod Tag Synergy Elite Activator Material of your choice. Press OK. => The Shelf will now change to a TAG Round 33mm Rod:



Part Attributes:

Select the Rod in the Face View

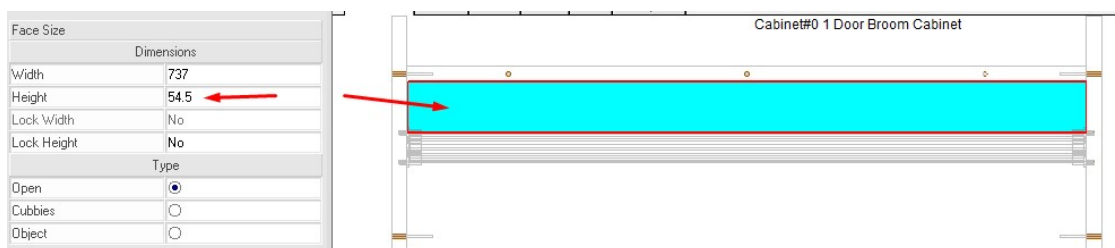
The rod will appear in the selection as either 'SH – Rod' or 'FS – Rod' depending on which part you used:



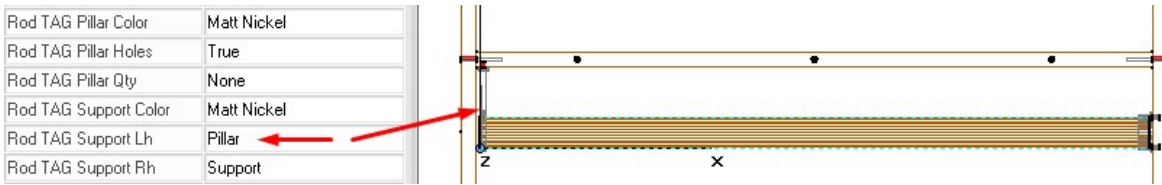
The following attributes are added to the Rod Oval:

- **Rod TAG Hole Qty** changes the support hole qty for adjustable height
- **Rod TAG In/Out** Controls the In/Out position (default is center)
- **Rod TAG Pillar Color** Allows the pillar color to be changed if required.
- **Rod TAG Pillar holes** Allows the pillar holes to be turned off.
- **Rod TAG Pillar Pos 1** Allows the center pillar 1 position to be changed.
- **Rod TAG Pillar Pos 2** Allows the center pillar 2 position to be changed.
- **Rod TAG Pillar Qty** Allows the center pillar qty to be changed to 1, 2 or none.
- **Rod TAG Support Color** Allows the support color to be changed if required.
- **Rod TAG Support Lh** Allows the left support to be changed to an end pillar.
- **Rod TAG Support Rh** Allows the right support to be changed to an end pillar.

To use Center Pillars or End Pillars ensure the gap above the rod is **54.5mm**:



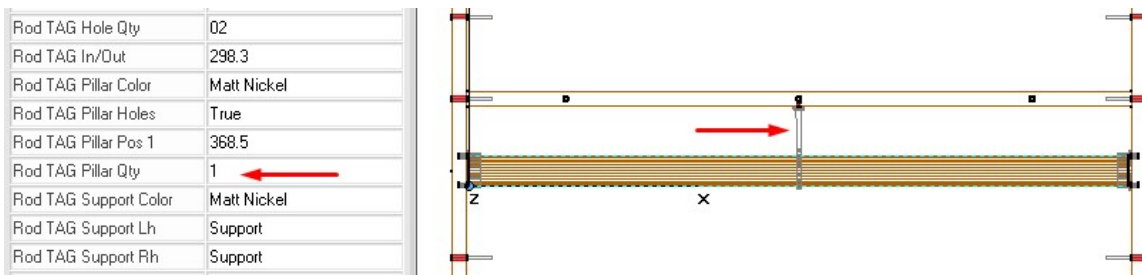
Change the 'Rod Oval Bracket Lh' to an End Pillar (Must be in Face View):



To adjust the Left or right Pillar position and rod length - use the shelf Adjustments (Must be in the Section View):



To change the Center Pillar quantity use the 'Rod TAG Pillar Qty' attribute (Must be in Face View):



Note: Center pillar quantity is automatic until attribute is changed.
 The UCS Public variables (Below) determines when a rod is long enough for 1 or 2 pillars.
 To reset to the attribute to automatic, select 'Auto' from the list.

Change Rod Back to a Shelf

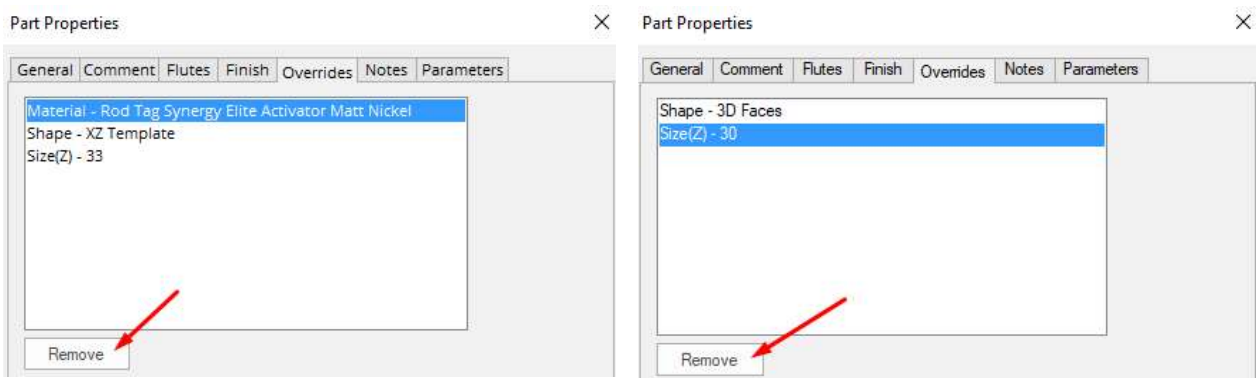
Remove Material Override

To change the Rod back to its original shelf one way is to remove the material override

Right Click on the Rod and select Properties:



Click on the Overrides Tab and remove the material and the size(Z) overrides:



Now Press OK and the shelf will return.

Change Shelf in Section View

Another way to change the rod back to a shelf is to first change it to a different shelf in the section view and then back to the Shelf or Fixed Shelf you started with.

Alternatively you could delete it and then add it again.

Drilling Setup

UCS Public Variables

There are 6 Public Variables for the “{ RODS } -- Hafele TAG Synergy Round Rods “ UCS.

- To change these variables go to the Utilities – Edit User Created Standards from the Room Plan or Elevation views



Then click on the “{ RODS } -- Hafele TAG Synergy Round Rods “ UCS.

On the top left-hand side of the screen, you will see the Public Variables list for the UCS.

Public Variables	
Pillar 1 Length	1200mm
Pillar 2 Length	1800mm
Rod End Support Gap	3mm
Rod End Pillar Gap	3mm
Rod End Pillar Inset	5mm
Support Hole Qty	2

Public variables:

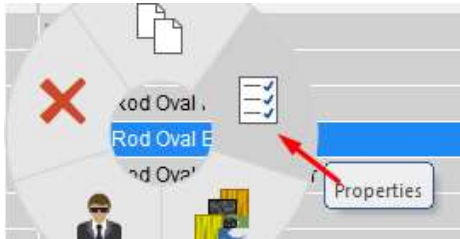
- Pillar 1 Length** = Length Rod needs to be for one pillar to appear automatically.
Pillar 2 Length = Length Rod needs to be for two pillars to appear automatically.
Rod End Support Gap = Gap between cabinet end and end of rod when using an end support. (The cutting size for the rod will be less than the opening by double this value).
Rod End Pillar Gap = Gap between cabinet end and end of rod when using an end pillar. (The cutting size for the rod will be less than the opening by double this value).
Rod End Pillar Inset = distance end pillar is in from end of rod to pillar holes. This is the amount the rod extends past the center of the end pillar
Support Hole Qty = The default number of holes in the cabinet for each rod support (can be edited for each rod via attribute on the rod)

Once you have changed these values to your requirements, you can close the UCS editor.

Material Parameters

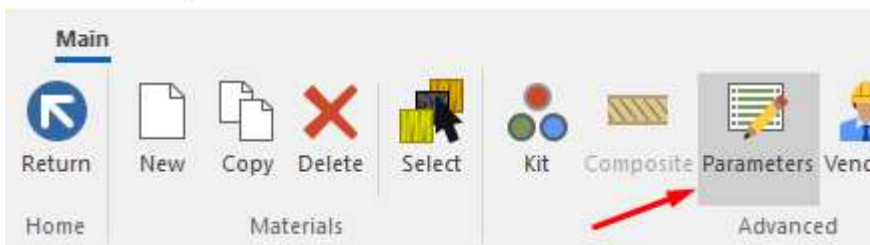
The drilling sizes for the brackets and pillars are provided as material parameters.

To edit the sizes, in the Material Manager, right click on the material and select properties:




Click the parameters button:

 Material Properties



Change the following values to your requirements:

For the 'Rod Supports' - You can change the following values (5mm Dia x 8mm Dep)

 Parameters - Rod Support Tag Synergy Full Matt Alu

Name	Description	Type	Value
VBORE_DX	Drill Diameter	Measurement	5mm
VBORE_DZ	Drill Depth	Measurement	8mm

For the 'Rod Pillars' - You can change the following values (3mm Dia x 5mm Dep)

 Parameters - Rod Pillar Tag Synergy Matt Nickel

Name	Description	Type	Value
VBORE_DX	Drill Diameter	Measurement	3mm
VBORE_DZ	Drill Depth	Measurement	5mm
VBORE_SPCNG	Drill Spacing	Measurement	53mm

Tools Required

- The drill diameters you choose in materials above is required for this package to work. You must have a drill bit matching these diameter in your tool catalog and in your machine.