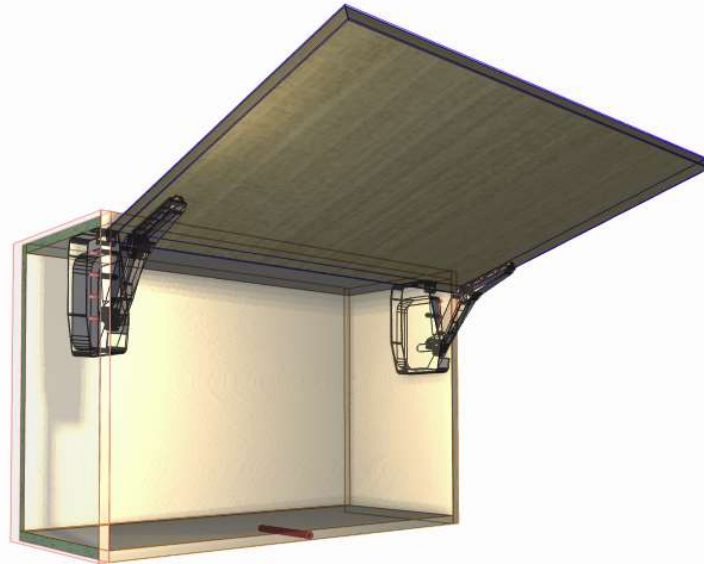


Hafele Free Flap 3.15 User Guide.



Introduction

Overview

- The 'Hafele Free Flap 3.15 Package' from Solid Setup Plus adds the Hafele Free Flap 3.15 door lift system to Cabinet Vision
- It provides drilling for the Cabinet and Door parts, for CNC output.
- *(You can change the drilling diameters and depths to the tools you want to use.)*
- It also adds 3d graphics for the mechanisms and brackets etc.
- All material descriptions contain the Hafele KIT order number after the # symbol.
- UCS calculates weight of Door by using the density of board and handle weight.
- User can adjust density, handle weight or Total weight using attributes.
- The Total weight determines which Mechanism to use, automatically.
- For the Push to Open, The Total weight determines which one to use, and how many, automatically.

Included in This Package

User Created Standards

The Following UCS's are provided

- { DOOR } -- Hafele Free Flap 3.15 Attributes -Adds Hafele Free Flap 3.15 Attributes to DOR
- { DOOR } -- Hafele Free Flap 3.15 -Adds Hafele Free Flap 3.15 to DOR_OPEN
-

Library

- CVS Hafele.cvc Cabinet Vision Catalog of Hafele Library parts

Parts

- HNGDXF Hinge type part used for Mechanisms
- HNGPLT Hinge type part used for Mech Covers
- HNGSTAY Hinge type part used for Arms
- BRKT Part used for Servo bumpers or PTO Adapters

Miscellaneous Materials:

Misc Materials: Various materials required for ordering the correct kit, and for the visual components

Free Flap 3.15 Usage

Door Requirements.

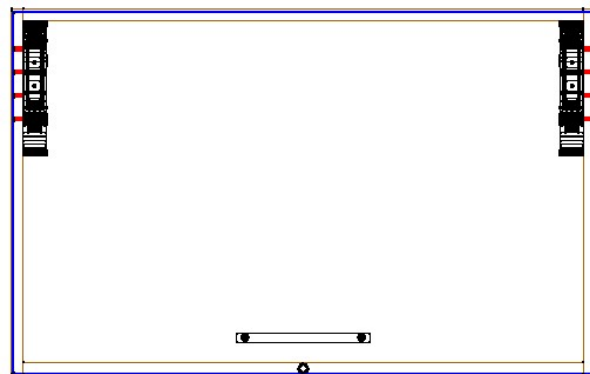
For the Free Flap 3.15 to appear on a door the following conditions must be met

- Door **must** be hinged at top.
- Door **must** have its hinge quantity set to **zero**.
- The door height **must** be in size range **250-650 High** and doors must be **200-2400 Wide**
- The **“Free Flap 3.15?”** Attribute will then appear on the Top Door to switch on Free Flap 3.15.
- (You must be in the orthographic or “Smiley” views to click on the door and see the attributes)

Attributes

- If the **“Free Flap 3.15?”** attribute is changed to **“True”** the following attributes will appear on the Door, along with the Free Flap mechanisms and arms.
- **NOTE:** - If the Door is not within the above size ranges the Free Flap parts will **not** be added to the Door.
- **NOTE:** - If the Door is too heavy for any Mechanism the material selected will be **“N/A”**.

Attributes	
Free Flap 315 ?	True
Free Flap 315 Colour	White
Free Flap 315 Dor Kg/m3	600
Free Flap 315 Dor Pull gm	200
Free Flap 315 Dors Kg	3.93
Free Flap 315 Dors Total Kg	4.13
Free Flap 315 Open?	False
Free Flap 315 Pos Lh	16
Free Flap 315 Pos Rh	16.20
Free Flap 315 PTO	Edge (Standard)
Free Flap 315 PTO X	400
Free Flap 315 PTO Y Adj	0



- **Free Flap 3.15 Colour?** -Changes the Cover Colour (**White, Grey, White(ECO), Grey(ECO)**) –
- **NOTE** – Selecting **“ECO”** will change the order codes for the KITS to the Recyclable Covers
- **Free Flap 3.15 Dor Kg/m3** This value is the density of the door measured in kilograms per cubic meter and is used to calculate the weight of the door – **change this to the density of the board you are using if known (If you are using MDF its density varies between 600 and 800 Kg/m3)**

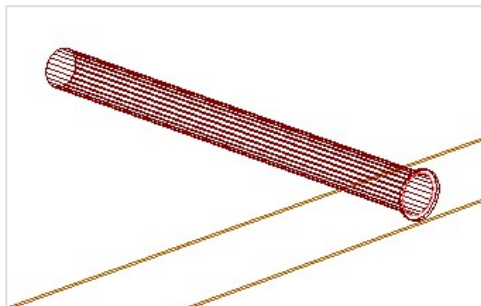
- **Free Flap 3.15 Dor Pull gm** -This value is the weight of the handle in grams and is used to calculate the total weight of the door plus handle – **(change this to the total weight of the handle(s) you are using.)**
- **Free Flap 3.15 Dors Kg** -This is the weight of the door as calculated by the **density** value **you** entered multiplied by the door size and thickness. – **(If you already know the door weight you can change this value rather than using the density calculated weight.)**
- **Free Flap 3.15 Dors Total Kg** -This is the total weight of the door and handle added together and is used to calculate which KIT to Order **(If you already know the total door weight plus handle you can change this value rather than using the density calculated weight.)**
- **Free Flap 3.15 Open?** -Shows the door in the open position.
- **Free Flap 3.15 Pos Lh** -Can be used to move the x position of the left arm.
- **Free Flap 3.15 Pos Rh** -Can be used to move the x position of the right arm.

EDrive Attributes (Coming Soon)

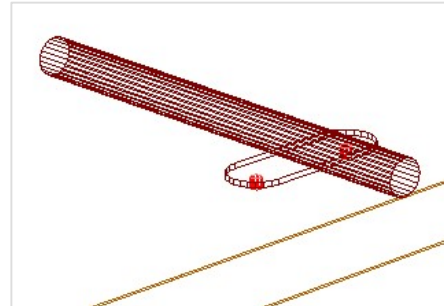
- **Free Flap 3.15 EDrive** -Turns on EDrive Drive and following attributes.
- **Free Flap 3.15 EDrive Bck Dia** -Changes EDrive Back Hole diameter – set to 0 to delete hole.
- **Free Flap 3.15 EDrive Pos** -Can be used to move the EDrive switches up or down.

Push To Open Attributes

- **Free Flap 3.15 PTO** -Selects PTO adapter:

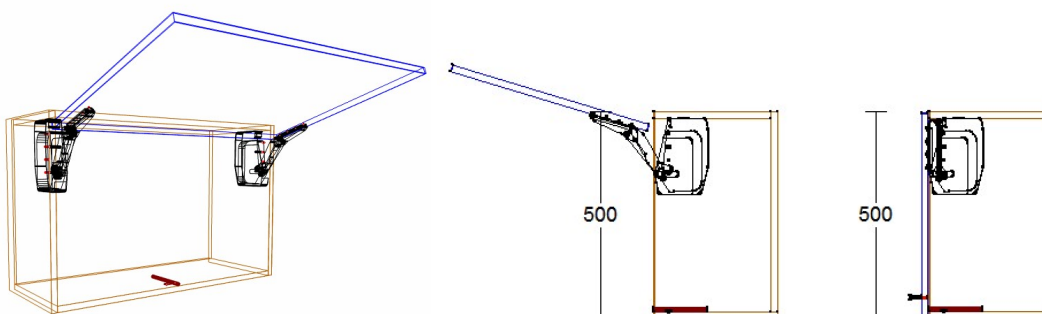


Edge (Standard)



Surface Screwon

- **Free Flap 3.15 PTO X** -Allows the Push to Open fitting(s) to be moved left or right if required
- **Free Flap 3.15 PTO Y Adj** - Allows the Push to Open fitting(s) to be moved up or down if required



Note: The handle on the door is hidden when the door is displayed in the open position.

Setup

UCS Public Variables

- To change these variables go to the Utilities – Edit User Created Standards from the Room Plan or Elevation views



- Then click on the “{ DOOR } -- Hafele Free Flap 3.15 Attributes” UCS. The Public Variables are at the top right of the screen.

Public Variables	
Units?	Metric

- Units?** Please select the units you are using. This affects the KIT selected by the door weight.
- Now click on the “{ DOOR } -- Hafele Free Flap 3.15” UCS. Here we set the various drilling sizes.

Public Variables	
Door Bracket Holes Depth	Imp(5)
Door Bracket Holes Diam	Imp(3)
Mech Peg Holes Depth	Imp(12.5)
Mech Peg Holes Diam	Imp(5)
PTO Std Edge Hole?	0
PTO Screw Holes Depth	Imp(3)
PTO Screw Holes Diam	Imp(3)

- Edit the **mm** values to the diameter and depths you require.
- If you are using imperial sizes simply replace the whole **mm** with the imperial measurement instead.
- E.g.: 3mm might become **1/8**
- For version 9 you can type 5mm instead of Imp(5) for metric values.
- Please note the “PTO Std Edge Hole?” Variable will turn on the 10.5x 130mm deep horizontal hole in the front edge when the PTO type “Edge (Standard)” is selected. (0 = Off, 1 = On)**

Once you have changed these values to your requirements, close the UCS editor.

Tools Required

- The drill diameters you choose in the UCS User Definable Variables above are all required for this package to work. You must have these tool diameters in your tool catalog and in your machine.

Package Exclusions

There may be some items shown in various images contained in this document which are not included in this Package. Any items not specifically mentioned in this guide are part of our other packages which are sold separately.

See our website for more detailed information on these packages.