

# Hafele Dispensa Junior III User Guide.

## Introduction

### Overview

- This Package from Solid Setup Plus adds Hafele Dispensa Junior III Bottom Mount in Arena Classic White, Arena Style White or Arena Style Anthracite.



## Included in This Package

### User Created Standards

- { DRAWS } -- Hafele Dispensa Jnr III
- { DRAWS } -- Hafele Dispensa Jnr III Cab Width

### Material Schedules

- |  |  |
|--|--|
| • Hafele Dispensa Jnr III Classic White    | Drawer Guide Schedule Arena Classic White    |
| • Hafele Dispensa Jnr III Style Anthracite | Drawer Guide Schedule Arena Style Anthracite |
| • Hafele Dispensa Jnr III Style White      | Drawer Guide Schedule Arena Style White      |

### Materials

- |  |                                       |
|--|---------------------------------------|
| • Dispensa Junior III Classic Bot Mt Wte 300, 400, 450, 500, 600           | Drawer Guides for Arena Classic White |
| • Dispensa Junior III Style Bot Mt Anth 300, 400, 450, 500, 600 Anthracite | Drawer Guides for Arena Style         |
| • Dispensa Junior III Style Bot Mt Wte 300, 400, 450, 500, 600             | Drawer Guides for Arena Style White   |

### Drawer Box Construction

- Hafele Dispensa Junior III                      System Type Drawer Box

## Hafele Dispensa Junior III Usage

### Drawer Box Construction

Select “Hafele Dispensa Junior III” as your drawer box construction.

### Drawer Guide Schedule

Select one of the “Hafele Dispensa Jnr III...” schedules.

### Minimum Sizes

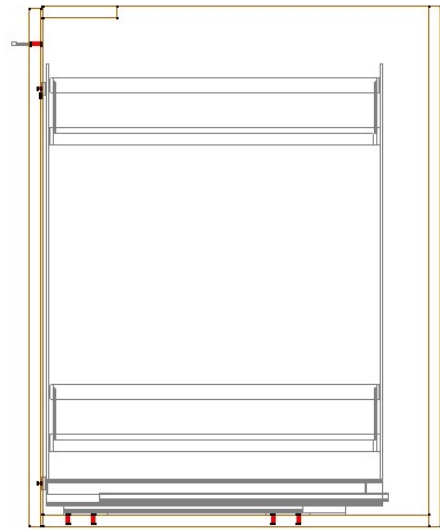
Start with a 1 drawer cabinet which has the following space:

**267mm** minimum internal opening width for the 300 or  
**367mm** minimum internal opening width for the 400 or  
**417mm** minimum internal opening width for the 450 or  
**467mm** minimum internal opening width for the 500 or  
**567mm** minimum internal opening width for the 600

**AND:**

**487mm** minimum internal depth.

**632.5mm** minimum internal height.



### Cabinet Attributes

The Cabinet Width can be automatically sized to match the dispensa hardware using the following attributes.

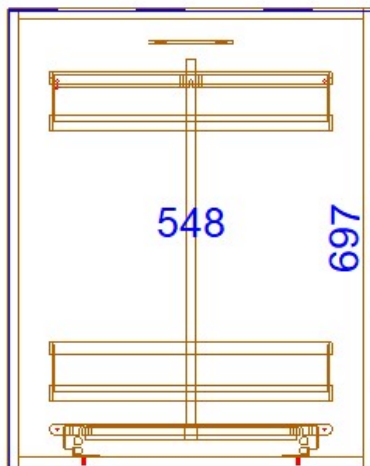
**Dispensa-Set Cab Width (DX)**

True will change cabinet width to suit dispensa width.

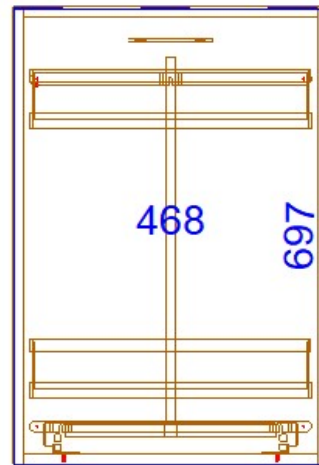
**Dispensa-Set Cab Width (Precision)**

Exact/Rounded sets the precision if cabinet width is true.

For a 500mm wide Dispensa Junior III:



Dispensa-Set Cab Width (DX) = False

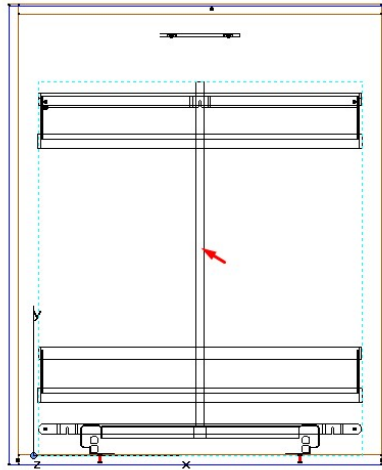


Dispensa-Set Cab Width (DX) = True

## Part Attributes

The Dispensa hardware has attributes to control the Left/ Right position

- Click on the dispensa hardware in an orthographic (smiley face) view of the cabinet editor.



The following attributes are shown:

**Position Left/Right (X)**

**Position Left/Right ADJ**

**Recommended Opening (DX)**

Center/Left/Right – You can select the position of the Dispensa.

Change this value +/- to Adjust the Left/Right Position.

Displays the minimum opening for the current Dispensa

## Drilling Settings

### Drawer Guide Drilling

To Edit the drawer side or front drilling sizes use the Material Manager and search for Dispensa Junior.

ID	Name	Description	Type
8540	Dispensa Junior III Classic Bot Mt Wte 300	Dispensa Junior III Classic Bot Mount White 300 #545.11.202	Drawer Guide
8550	Dispensa Junior III Classic Bot Mt Wte 400	Dispensa Junior III Classic Bot Mount White 400 #545.11.203	Drawer Guide
8551	Dispensa Junior III Classic Bot Mt Wte 450	Dispensa Junior III Classic Bot Mount White 450 #545.11.204	Drawer Guide

Double Click the Drawer Guide material you wish to change.

You can edit any of the hole sizes shown here in yellow, to your preferences:

General Operations

**Mount Holes**

Diameter	5
Depth	12
Position 1	36
Position 2	72
Position 3	108
Position 4	144
Position 5	0
Position 6	0

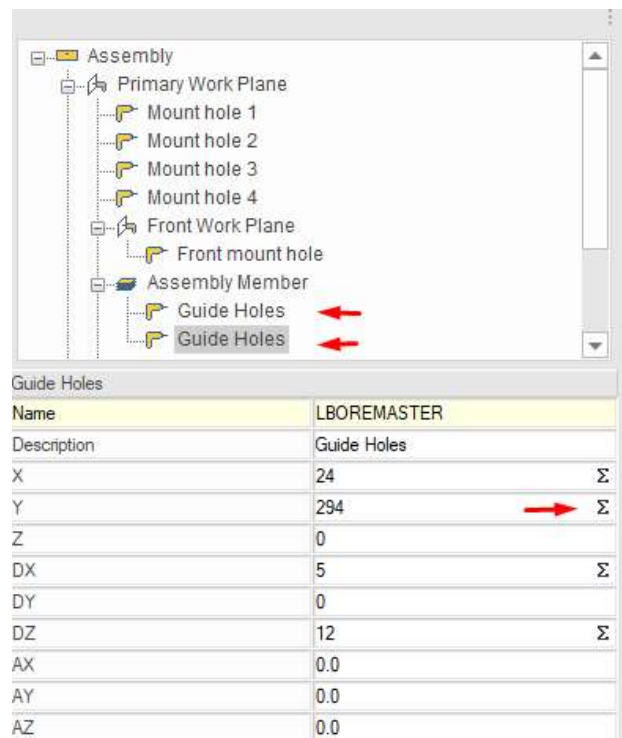
**Front Mount Holes**

Horizontal Offset	12.5
Vertical Offset	44
Diameter	3
Depth	5
Spacing	554
Quantity	2

**Back Mount Holes**

**Note: the mount hole positions cannot be edited here because they are on the model itself**

To edit them you need to go into the model editor and change the following equations. Full instructions to do this is beyond the scope of this guide.



The screenshot shows the 'Assembly' tree view with the following structure:

- Assembly
  - Primary Work Plane
    - Mount hole 1
    - Mount hole 2
    - Mount hole 3
    - Mount hole 4
  - Front Work Plane
    - Front mount hole
  - Assembly Member
    - Guide Holes (with red arrow pointing left)
    - Guide Holes (with red arrow pointing left)

Below the tree view is a table titled 'Guide Holes' with the following data:

Name	LBOREMASTER
Description	Guide Holes
X	24 $\Sigma$
Y	294 $\Sigma$ (with red arrow pointing right)
Z	0
DX	5 $\Sigma$
DY	0
DZ	12 $\Sigma$
AX	0.0
AY	0.0
AZ	0.0